

# The Snake Canyon<sup>®</sup> Advantage! Cable Management for Access Floors



Snake Tray Manufactured  
with 100% Solar Power!

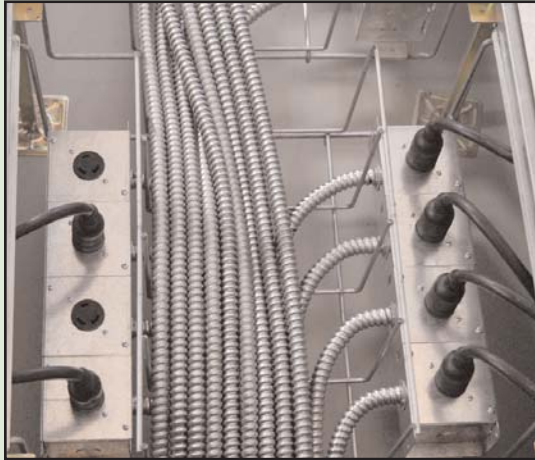


**Drop-In and Add  
Up the Savings!**



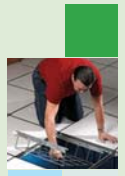
## Snake Canyon® Powers Up the Possibilities!

Snake Canyon is the only access floor cable tray to offer integrated power distribution to meet any electrical needs. Power Snake Canyon delivers power from the main distribution panel to your enclosures in record time!



## Snake Tray® Series 101 Hand Bendable Cable Tray for Access Floors Complements Snake Canyon®

The world's only hand bendable cable tray installs directly to the floor and can bend around and over any obstacle in the floor!



## Snake Canyon® is Green!

LEED (Leadership in Energy and Environmental Design) Green Building Rating System is a voluntary consensus-based national standard for developing high-performance sustainable building. Snake Tray is committed to LEED and our products have many inherent features to help building owners, architects and design engineers reach these building goals.



### Made of recycled steel

Snake Canyon is made of 100% recycled US steel.

### No material waste

Snake Canyon requires no cutting to fabricate turns which creates waste. Our system uses less hardware and accessories to install. Both features help to minimize landfill additions.

### Compact shipping and packaging

Snake Canyon stacks together for compact shipping using less packaging materials and requiring less material handling on the job site which reduces transportation costs.

### US manufactured with distribution centers throughout the US

Snake Canyon uses less transportation to reach the building site.

### Reusable and reclaimable

Snake Canyon can be reused and is made of 100% reclaimable products.







# Snake Canyon<sup>®</sup>

## Drop-in Snake Canyon<sup>®</sup> and cut your labor costs by half!

Snake Canyon has revolutionized the way cable can be installed in computer access floors. This modular cable tray system instantly integrates with the existing structural elements of an access floor to create the fastest to install under-floor cable tray.

### One-piece drop-in cable tray module

- Ten times savings in labor to install over other methods
- Dramatically reduces labor costs when installing in a new or existing access floor
- No additional hardware or mounting legs required to buy, engineer, or ship
- Trays work with 2' x 2' floor grid to install anywhere
- Trays integrate with floor for strength and durability

### Models available for all floor types including stringerless floors

- Universal solution for all access floors systems

### Snake Canyon integrates with the access floor structure

- Creates new cable path above supplementary utilities

### Installation requires no hardware or complicated techniques

- No specialized labor or tools required to install

### Trays can be moved and reused

- Can easily reconfigure cable plan

### Creates ergonomic cable path for safe and easy access

- Less wear and tear on installers and easy access to the cable

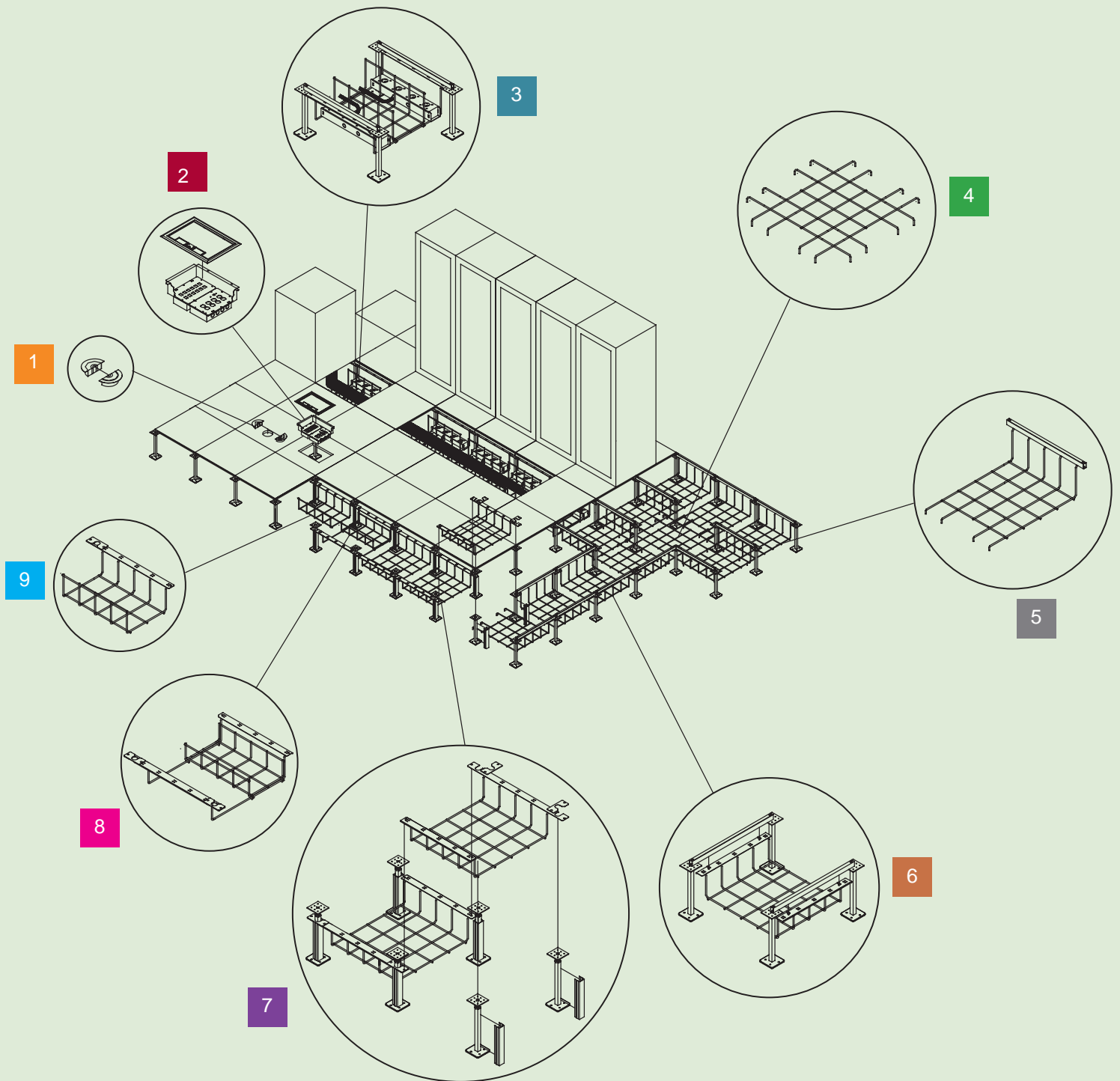
### Half baskets and turning components available

- Trays can be easily configured for any cable plan

### Does not void floor manufacturer's warranties

- UL Classified (Follow grounding per NEC)
- EIA/TIA and NEC Compliant
- Made in the US (American owned company)





**1** Snake Air airflow manager blocks air from escaping under access floors.

**2** Snake Box modular floor box with both data and electrical receptacles.

**3** Power Snake Canyon provides the cable tray and electrical receptacles in one easy-to-install module.

**4** Crossing Grid creates four way intersections for trouble-free cable management.

**5** Turning Component allows for effortless changes in direction.

**6** Cam-Loc Snake Canyon installs in seconds by attaching to existing floor stringer with simple twist lock cams.

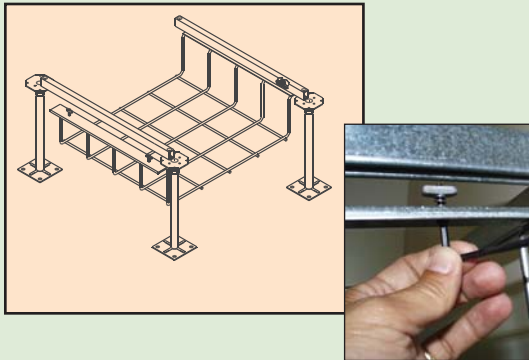
**7** Latch-Loc Snake Canyon installs in seconds to the access floor by latching onto the floor pedestal above the adjuster nut.

**8** Half Section Snake Canyon gives easy access to utilities below the cable path.

**9** Cantilever Snake Canyon maintains access to existing systems below and allows for stacking the pathways.

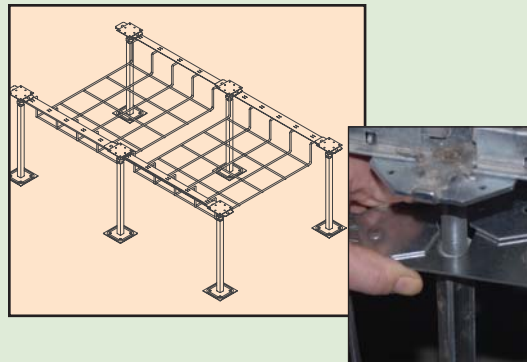
# Snake Canyon® Product Group

Designed to deliver the fastest cable tray installations for access floor, Snake Canyon offers solutions to fit any access floor requirement and has been designed to meet the customer's need.



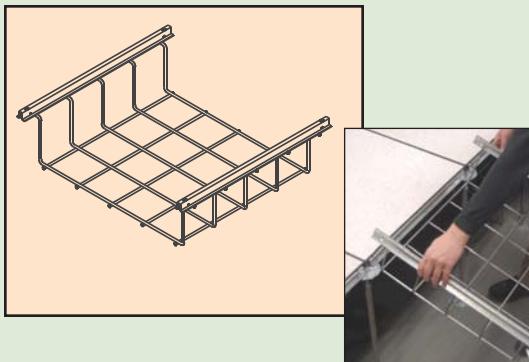
## 301 Series Snake Canyon® Cam-Loc

The spring-tensioned cam is inserted inside any open bottom box type stringer for the quickest installation on the market!



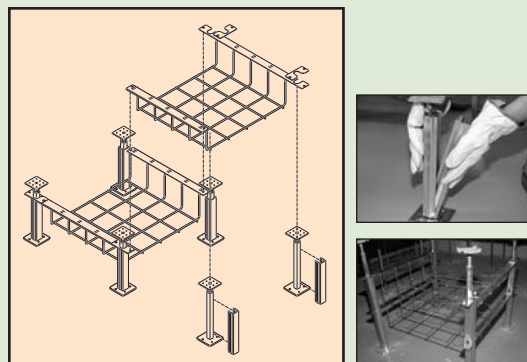
## 301 Series Snake Canyon® Latch-Loc

Instantly installs to a computer access floor by latching onto the floor pedestal above the adjuster nut. No additional hardware required.



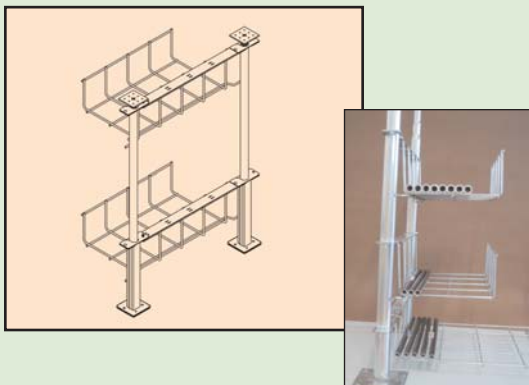
## 301 Snake Canyon® Original

Installs the same time the access floor is being installed since Snake Canyon provides the stringers required to build the floor. A giant labor saver!



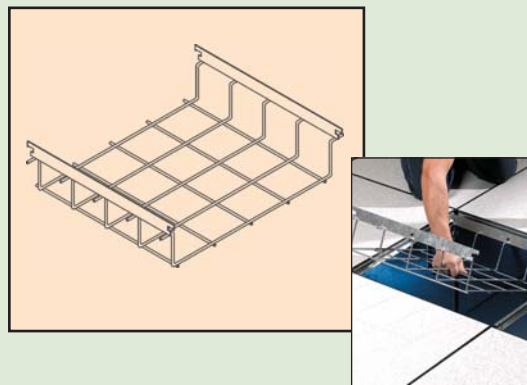
## 301 Snake Canyon® Plus

Easy snap-on by hand cable tray support allows for multiple tiers and directions for cable management.



## 301 Snake Canyon® Cantilever

The best solution for when multiple layers of cable paths need accessibility.



## 301 Snake Canyon® Click-In

Simply indexes into the under structure of an AR Interface™ floor.

Snake Canyon Models come in 2", 4", 6", 8", 12" and 18" depths. All cable trays are 23" wide to fit any access floor.

Made in the USA



# The Snake Tray<sup>®</sup> Advantage

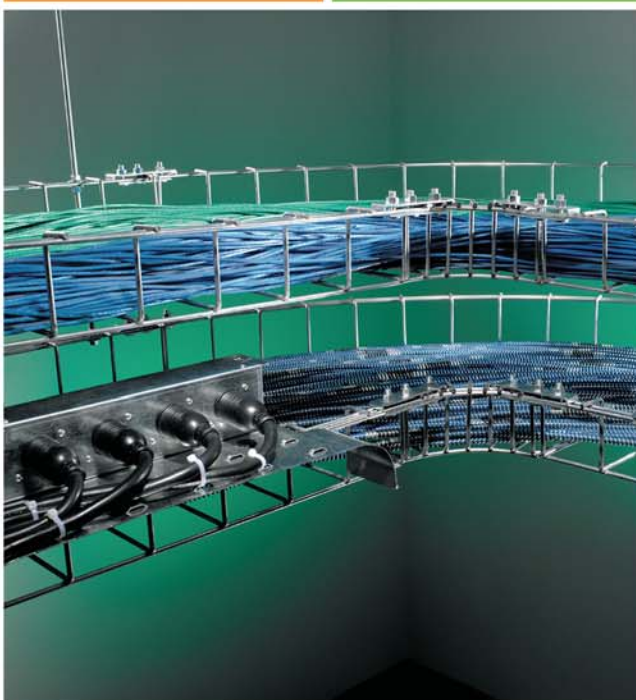
Snake Tray has revolutionized cable management, power distribution and airflow management with a stream of innovative products designed to install quickly, reduce labor and material costs and drive down the total cost of construction.

**Snake Tray substantially reduces on-site install time to cut labor costs!**



## Snake Tray<sup>™</sup>

Snake Tray, the world's only hand bendable cable tray system, eliminates time-consuming cutting and clipping to create turns. The built-in mounting hardware along with a single point connection and hand bendability allows this cable support system to install faster than traditional wire mesh cable trays.



## Mega Snake<sup>™</sup>

Mega Snake, high capacity overhead cable tray, comes in pre-manufactured sections to make it the fastest-installing cable tray in today's market. Mega Snake's patented mounting rail allows for a two-point suspension and can easily accommodate power modules and other accessories.

## Snake Bus<sup>®</sup>

Snake Bus is green power distribution for access floors that is pre-configured for quick installations, moves and changes. Flexible power for workstations, call centers, trading desks and data centers.



## Snake Air<sup>®</sup>

Snake Air airflow managers for data centers and workstations offer a cost effective way to manage airflow to protect sensitive equipment from overheating and to conserve energy. There are Snake Air models for access floors, equipment racks and network switches.



Snake Tray<sup>®</sup> products are covered by one or more of the following patents: #6,637,704, #6,637,165, #6,463,704, #6,460,812, #6,449,912, #6,361,000, #6,347,493, #6,019,323, #5,953,870, #5,839,702, #6,926,236, #6,347,493, and #7,168,212. Other US and Foreign Patents Pending.

## Snake Tray<sup>®</sup>

800-308-6788 • 631-674-0004

web: [www.snaketray.com](http://www.snaketray.com)

291 Skip Lane, Bay Shore NY 11706 USA

Fax: 800-881-6641 • 631-674-0010

MADE IN USA

MKTG-0005 • © Copyright 2010 Snake Tray