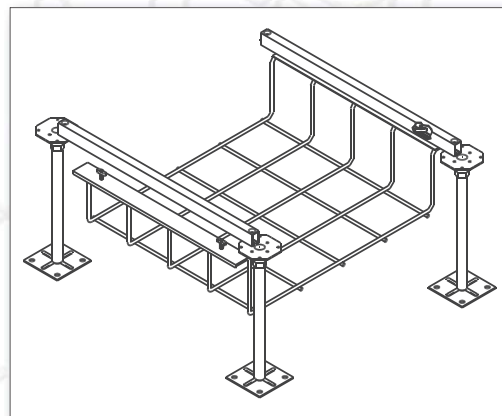




## Snake Canyon® Cam Loc Installation Instructions

CABLE MANAGEMENT SOLUTIONS, INC.

CABLE MANAGEMENT AND POWER DISTRIBUTION



- 1) Remove access floor tiles from the cable pathway.
- 2) Align CAM's parallel to the stringers, and allow at least ¼" of thread to show on the studs
- 3) Insert Snake Canyon under access floor between floor pedestals.
- 4) Align Snake Canyon with the stringers.
- 5) Lift Snake Canyon under stringers allowing CAM's to interface with the slot under stringer.
- 6) Using a 9/64" allen wrench, tighten stud to engage CAM's
- 7) Each stud shall be tightened to ensure proper alignment and mechanical connection to the floor stringer
- 8) Repeat this procedure until the Snake Canyon system installation is completed.
- 9) If you need assistance, call toll free to 800-308-6788 for technical assistance.

291 SKIP LANE • BAY SHORE, NEW YORK 11706 USA