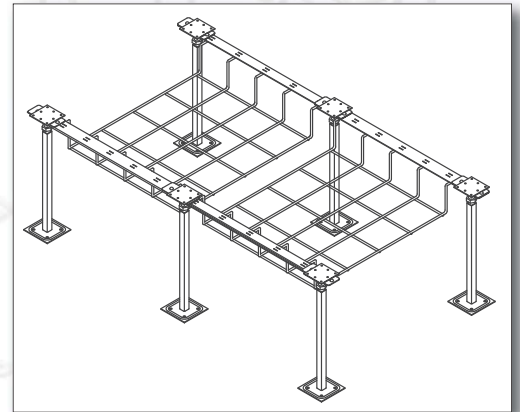
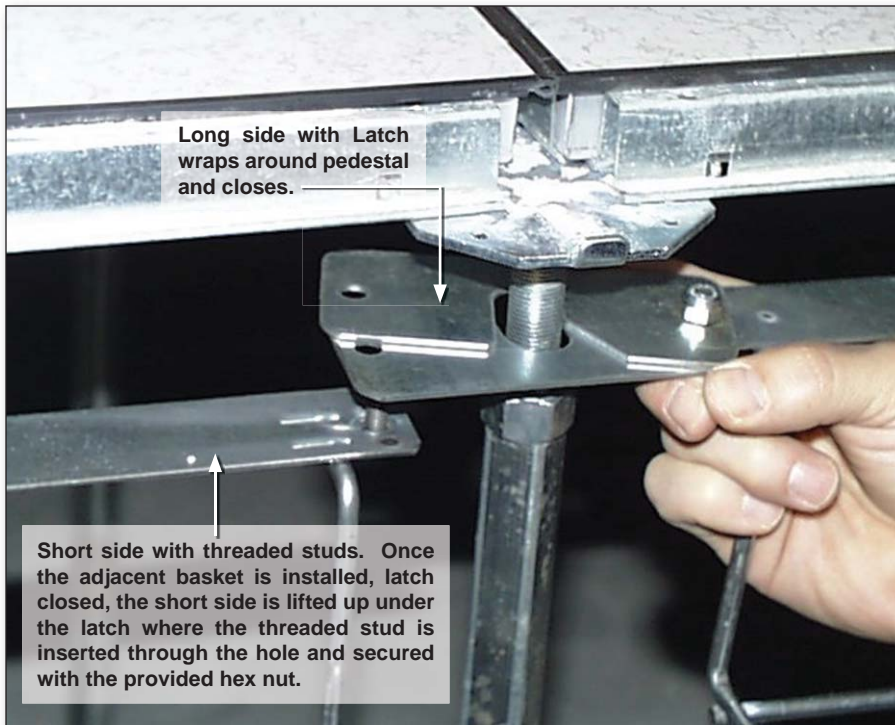




Snake Canyon® Latch Loc Installation Instructions

CABLE MANAGEMENT SOLUTIONS, INC.

CABLE MANAGEMENT AND POWER DISTRIBUTION



The next basket is installed 180 degrees to the adjacent basket, and then the next again 180 degrees to the last...

- 1) Remove access floor tiles from the cable pathway.
- 2) Open pedestal clamps on Snake Canyon 90 degrees to the stringer.
- 3) Insert Snake Canyon short side stringer with screw studs under access floor between floor pedestals.
- 4) Insert Snake Canyon long side stringer with pedestal clamp under access floor and then slide pedestal clamps around floor pedestals above the adjuster nuts.
- 5) Close pedestal clamps around the floor pedestals to support Snake Canyon.
- 6) Install one P/N PB-101 Pedestal Clamp above adjuster nut on the floor pedestal at termination end of cable pathway, position over the threaded stud on the Snake Canyon and secure with nut.
- 7) Install nut and bolt on termination end of Snake Canyon to secure long stringer pedestal clamp.
- 8) Rotate next section of Snake Canyon 180 degrees and repeat Items 2,3,4 & 5. The stringer pedestal clamp from the first Snake Canyon installed will now attach to the threaded stud of the second section. Also, the threaded stud of the first section will attach to the stringer pedestal clamp of the second section.
- 9) Repeat this procedure turning each section 180 degrees to the last section installed until the Snake Canyon installation is completed.
- 10) On the last section of Snake Canyon, install one P/N PB-101 Pedestal Clamp and one nut and screw as described in Item 6 above to support the end of the tray.
- 11) If you need assistance, call toll free to 800-308-6788 for technical assistance.

291 SKIP LANE • BAY SHORE, NEW YORK 11706 USA