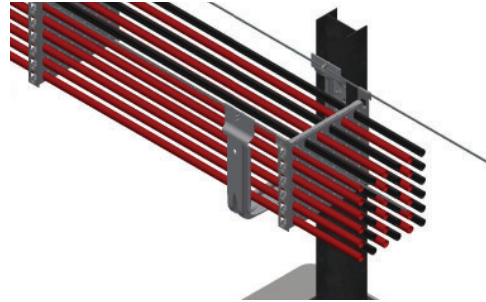




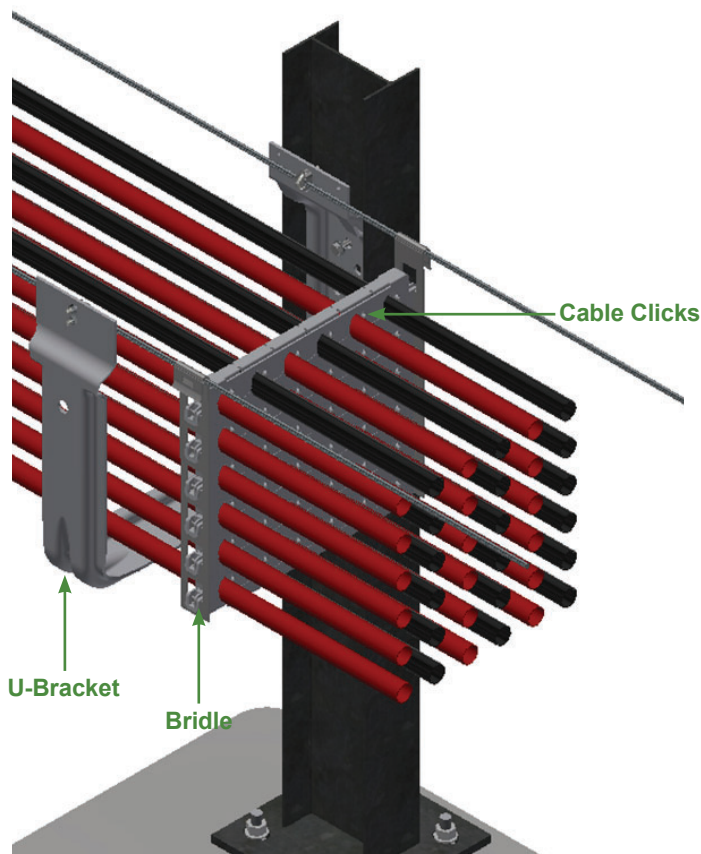
Solar Snake Max™ Product Guide



Part Number	Description
Messenger Wire Hardware	
CM 407-81-11914	Overhead Messenger Wire 7#10, 7 Strands x 2.59mm
CM 407-77-11861	Messenger Wire Hardware Kit - (1) Eye Bolt, (2) Hex Nuts, (1) Lock Washer
CM 407-77-11862	Messenger Wire Hardware Kit - (1) Dead End Grip, (1) Thimble
1/0 - 350 Kcmil	
CM 407-ST01-1.0-350	6-Position Cable Click Set - 1/0 - 350 Kcmil
PF 407-10-11375	Bridle - 1/0-350 x 4 Tier
CM 407-SM-PBDW	U-Bracket - 1/0-350 x 4 Tier
350 Kcmil - 750 Kcmil	
CM 407-ST02-350/750	6-Position Cable Click Set - 350 -750 Kcmil
CM 407-10-11677	Bridle - 350-750 x 2 Tier
CM 407-10-11375	Bridle - 350-750 x 4 Tier
CM 407-10-11679	Bridle - 350-750 x 6 Tier
CM 407-10-11988	Bridle - 350-750 x 7 Tier
CM 407-105-11676	U-Bracket - 350-750 x 2 Tier
CM 407-105-11678	U-Bracket - 350-750 x 6 Tier
CM 407-76-11988	U-Bracket - 350-750 x 7 Tier
750 Kcmil - 1250 Kcmil	
CM 407-ST02-750/1250	4-Position Cable Click Set - 750 -1250 Kcmil
CM 407-10-11964	Adaptor Bridle - 750-1250 x 3 Tier (For hanging below a 350-750 Bridle)
CM 407-10-12002	Adaptor Bridle - 750-1250 x 4 Tier (For hanging below a 350-750 Bridle)
CM 407-10-12034	Bridle - 750-1250 x 4 Tier
CM 407-10-12031	Bridle - 750-1250 x 7 Tier
CM 407-10-12045	Bridle - 750-1250 x 8 Tier
CM 407-09-12035	U-Bracket - 750-1250 x 4 Tier
CM 407-09-12032	U-Bracket - 750-1250 x 7 Tier
CM 407-09-12044	U-Bracket - 750-1250 x 8 Tier

Single Messenger Wire and Hard Rail Systems Available

Solar Snake Max XL™
Ground Mount Solutions - Dual Messenger Wire



Solar Snake Max XL™
Ground Mount Solutions - Single Messenger Wire



Dual Messenger Wire System Benefits:

- Maintains NEC 310.15 code compliant cable separation which can yield up to 30-watt hours per meter more energy than bundled or trenched cables
- No trenching for safe installation, operation and maintenance
- No derating of cables saves on material costs
- Easy snap together components require no field fabrication
- Accommodates cables up to 1250 Kcmil
- Mounts to any style of vertical pilings or poles
- Install in any elevation or terrain
- Insulation Piercing Connector (IPC) compatible

Single Messenger Wire System Benefits:

- Maintains NEC 310.15 code compliant cable separation which can yield up to 30-watt hours per meter more energy than bundled or trenched cables
- No trenching for safe installation, operation and maintenance
- No derating of cables for lower material costs
- Easy snap together components require no field fabrication
- Accommodates cables up to 1250 Kcmil
- Open and adjustable click system can accommodate a variety of cable sizes even in the same tier
- Install in any elevation or terrain